



MARK I



2,000 to 4,000 # DBP

NARROW AISLE INDUSTRIAL TOW TRACTOR



Photo may show optional equipment

***Trowin Industries, Inc.***

737 Herbert St. | Chippewa Falls, WI 54729

715-738-1690 PH | 715-738-1693 FX

[www.trowin.com](http://www.trowin.com)

specifications



# Mark I

2,000 to 4,000 lb DBP



## Narrow Aisle Industrial Tow Tractor

**Engine:** Volkswagen Industrial 1.8 ltr 4-Cylinder Gasoline Engine w/ Electronic Ignition (*std*)  
Ford 1.6 ltr. 4-cylinder EFI Industrial Gasoline Engine w/ Engine Shutdown Protection (*opt*)(2003)  
Volkswagen Industrial 1.9 ltr 4-Cylinder Diesel Engine w/ Electronic Ignition (*opt*)  
17 hp Electric Motor 24, 36, 48, 72, & 80 Volt (*opt*)

**Transmission:** Velvet Drive T72 Automatic Transmission, 1 Speed Forward & Reverse (*opt*)

**Drive Axle:** ArvinMeritor TA-267 Rigid Mount (*std*)

**Steer Axle:** Heavy Duty Tubular Industrial Beam Mounted on Semi-elliptical Springs

**Service Brakes:** Four-wheel Disc, Power Assisted Split System

**Parking Brake:** Lever Operated, Disc Type on Output of Transmission

**Electrical System:** 12-Volt Negative Ground, 95-Amp Alternator, Keyed Anti-restart Ignition, Horn, Sealed Beam Headlights, Stop/Tail Lights & Back-up Lights (2ea)

**Instrumentation:** GAUGES: Engine Hour Meter, Water Temperature, Fuel level. WARNING LIGHTS: High Engine & Transmission Temperature, Low Oil Pressure, Charging System, Brake System Failure, Parking Brake Engaged.

**Steering:** Full-time, Power Assisted, Hydrostatic System with 14" wheel

**Tires:** Front: 16-1/4x4x11-1/4 Rear: 21x5x15 Solid Press-On (*std*) Front: 400x8 Rear: 600x9 Pneumatic (*opt @43" wide*)

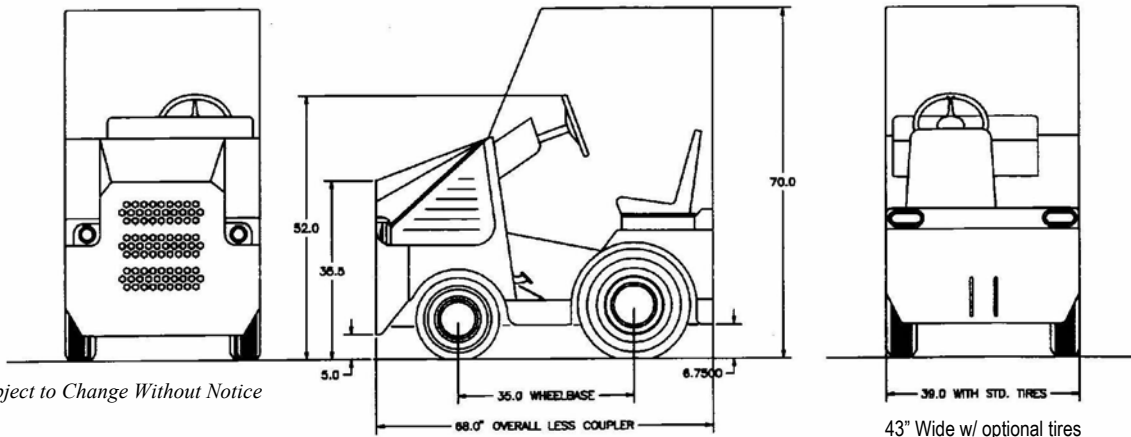
**Seat:** Single Operator Metal Pan Seat with Vinyl Padding

**Frame:** Unitized Steel Construction, 1" Front/Rear Bumpers and Main Chassis Rails, 3/8 Body Panels, Media Blasted for Superior Paint Adhesion

**Finish:** Primer: 2-part Light Gray Epoxy Primer Finish: 2-part Polyurethane (White, Yellow or Orange)

**Options:** LPG, Diesel, Cab, Overhead Guard, Heater/Defroster, Back-up Alarm, Turn Signals, Tilt Steering, Suspension Seats, Couplers, Others Available

<b>Weights:</b>	DBP (lbs)(kg)	2,000(900)	3,000(1360)	4,000(1815)
	GVW (lbs)(kg)	2,650(1200)	4,000(1815)	5,300(2400)
		Towing Capacity is 10xs the DBP* GVW ± 5%		



Specifications Subject to Change Without Notice