



# ST-3



2,000 to 6,000 # Capacity

## 3-Wheel Speed Truck



Photo may show optional equipment

# ***Trowin Industries, Inc.***

737 Herbert St. | Chippewa Falls, WI 54729

715-738-1690 PH | 715-738-1693 FX

[www.trowin.com](http://www.trowin.com)



specifications

# ST-3

## 2,000 to 6,000 lb Capacity 3-Wheel Industrial Speed Truck



**Engine:** Kohler 'Command Pro' 18 hp Air Cooled 2-Cylinder Gasoline Engine (*std*) 20hp LPG (*opt*)  
Kohler 'Command Pro' 20 hp Air Cooled 2-Cylinder LPG Engine(*opt*)  
6hp Continuous Duty Electric Motor; 24, 36, 48, 72, & 80 Volt (*opt*) (*requires other options*)

**Transmission:** Model 14 w/ Automatic Clutch, 1 Speed Forward & 1 Reverse

**Drive Axle:** Heavy Duty Automotive Type, Rigid Mount (*std*) Suspension Mount (*optional*)

**Steer Axle:** Heavy Duty Tubular Industrial Beam Mounted on Semi-elliptical Springs

**Brakes:** Service: 2-Wheel Hydraulic Disc Parking: Lever Operated, Disc on Rear Wheel

**Electrical System:** Kohler: 12-Volt Negative Ground, 25-Amp Alternator, Keyed Anti-restart Ignition, Horn  
Electric: Controller and Components Compatible w/ Selected Voltage

**Instrumentation:** Kohler: Volt Meter, Combination Hour/Tachometer/Maintainence Meter, Low Oil

**Steering:** Handle Bar Direct Steer to Front Wheel  
12" Steering Wheel Optional

**Tires:** 570 x 8 8 ply (*std*) 5.30 x 12 8 ply (*opt*)

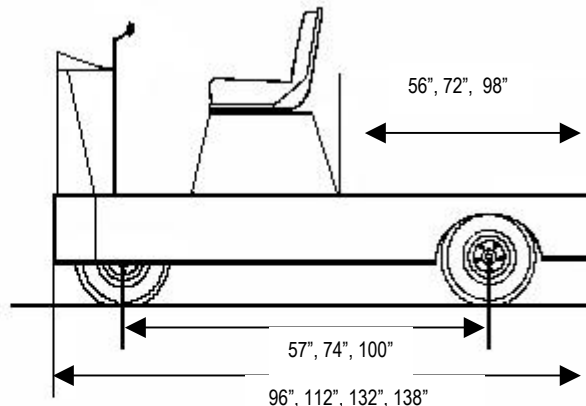
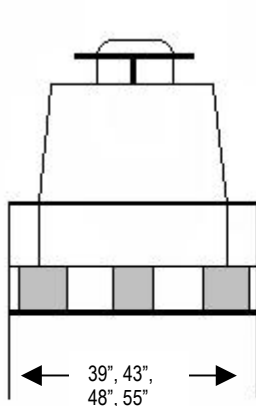
**Seat:** Single Operator Metal Pan Seat with Vinyl Padding

**Frame:** Unitized Welded Heavy Duty Steel Construction, 10" Outer Frame, 3/8" Inner Frame & Bumpers  
Media Blasted for Superior Paint Adhesion

**Finish:** Primer: 2-part Light Gray Epoxy Primer Finish: 2-part Polyurethane (White, Yellow or Orange)

**Options:** LPG, Diesel, Cab, Overhead Guard, Heater/Defroster, Back-up Alarm, Turn Signals, Tilt Steering, Suspension Seats, Couplers, Others Available

Model #	ST-32	ST-33	ST-34	ST-35	ST-36
Capacity lbs(kg)	2,000(900)	3,000(1360)	4,000(1814)	5,000(2268)	6,000(2721)



\*Certain Bed Lengths Require a Specific Wheel Base  
\*Custom Lengths & Widths Available  
\*Consult Dealer or Factory

Specifications Subject to Change Without Notice